

Extended Anthracite Grey Range Inside

Kayflow®

Rainwater, Underground & Soil Systems



PRODUCT GUIDE

www.kayflow.co.uk

Standard Gutters



KM 508760

- Easy to fit with a complete range of colour matched fittings
- Choice of 4 designs
- 10 year guarantee*
- High gloss finish with a choice of up to 6 colours
- Lightweight for ease of storage and transportation
- Low maintenance
- Durable and tough
- Kitemarked

P 4 – 9

SuperDeep 170



KM 508760

- Exceptionally strong components
- High capacity super deep system for commercial application
- Designed for high volume capture
- Market leading flow capacity
- Choice of downpipe sizes
- 10 year guarantee*
- High gloss finish in black and grey

P 10 – 11

Cast Iron Effect Gutters

- Authentic cast iron look without the weight or cost
- Choice of 3 designs
- Square or round downpipes
- Unique pipe fittings with built in saddle strap
- Durable and tough
- 10 year guarantee

P 12 – 14

Underground Drainage



KM 655203

- User friendly easy fit system
- Lightweight, easy to handle
- Impact resistant and extremely durable in use
- A wide range of products and ancillary fittings
- Tested to BS EN 1401-1: 2019 PVC-U Underground Drainage Systems**

P 16 – 21

Soil



KM 664034

- A wide range of profiles and fittings manufactured from PVC-U.
- High gloss PVC-U for low maintenance
- Lightweight, durable and easy to install
- Compatible with most other UK systems
- Choice of 3 colours
- Tested to BS EN 1329-1: 2014 Plastics piping systems for soil and waste discharge**

P 22 – 23

*Excludes Caramel. **For scope refer to the manufacturer.

Specification & Installation Guide for Guttering

How much water?

The gutter system must be able to drain the roof during an unusually heavy rainfall event which lasts at least two minutes.

BS12056 shows how to work out the amount of rainwater (in litres per second) that could run off a roof.

The roof area is multiplied by the amount of water running off each square metre of the roof area in litres per second.

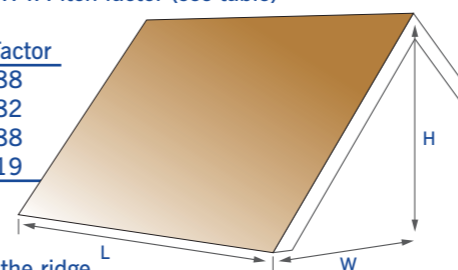
Volume of water coming off a roof = A x B where:

A = 0.021 litres per second.

B = the effective roof area, calculated as follows:

(W+H/2) x L or L x W x Pitch factor (see table)

Roof Pitch	Pitch Factor
10°	1.088
20°	1.182
30°	1.288
40°	1.419



W = eaves to below the ridge
H = vertical height from eaves to ridge
L = length of roof section

Snow Loading

In locations where heavy snowfall is common, fixing centres for gutter brackets should be reduced to 600mm for all Kayflow systems. In addition all fixing holes should be used on all brackets and the use of snowboards is recommended where appropriate.

Installation

Gutter

1. Position the running outlet accurately by holding a plumb line against the fascia directly over the drain. Mark the position on the fascia with a pencil. Fit the outlet no more than 50mm below the level of the roof tiles. Fix with 2 x 25mm x 5mm round-head stainless steel screws (don't use countersunk screws as these can be over torqued with cordless drivers and damage mouldings)
2. Fit a fascia bracket just below the top of the fascia board at one end of the run of guttering (opposite end to the outlet).
3. Tie a plumb line (string) around the base of the bracket and stretch the plumb line from the bracket along the fascia board and tie it to the outlet.
4. Check that there is a fall towards the outlet (1.350 is recommended) to encourage water to drain efficiently.
5. Mark the position of the fascia brackets, spacing them according to gutter system chosen (see table above) and no more than 150mm from any corner, union, running outlet or stopend.
6. In locations where heavy snowfall is common it is recommended that fixing centres for fascia brackets is reduced to 600mm.
7. Fix the fascia brackets with 25mm x 5mm stainless steel screws – we would recommend using all available fixing holes.
8. Starting at the outlet, fit the first length of gutter by tilting the gutter to fit under the back clip and clip in at the front edge.
9. Fit a union bracket at the other end of the first length and screw it into the fascia using all available fixing holes, then fit the next length of gutter into it. Continue joining lengths ensuring all joints line up with the "fit to here" depth marked in the fittings.

10. Cut the last section of gutter to fit using a hacksaw and fit a stopend.

Which Gutter to Choose

Compare the result of the calculation (AxB) with the flow capacity of the Kayflow systems available. Please note the following:

1. Reduce flow rates of gutters with angles by 15%.
2. Gutter sections longer than 50 x the height of water when the gutter is full have a reduced flow rate.
3. Gutters are laid level - this can be up to 3mm fall per metre.
4. Centrally placed outlets drain a much larger volume of water.

Minimum Specification for Fascia brackets

Gutter Type	Normal / Sheltered Areas	Snowfall / Exposed Areas	Max distance between brackets
Round/Square	2 x 25 x 4mm	2 x 25 x 5mm	1m
Deepflow/Ogee	2 x 25 x 4mm	2 x 25 x 5mm	800mm
SuperDeep 170	2 x 25 x 4mm	3 x 32 x 6.5mm	600mm
Cast Effect	2 x 25 x 4mm	3 x 25 x 5mm	As per standard profile

(4mm = 8 gauge, 5mm = 10 gauge, 6.5mm = 12 gauge stainless steel pan head screw)

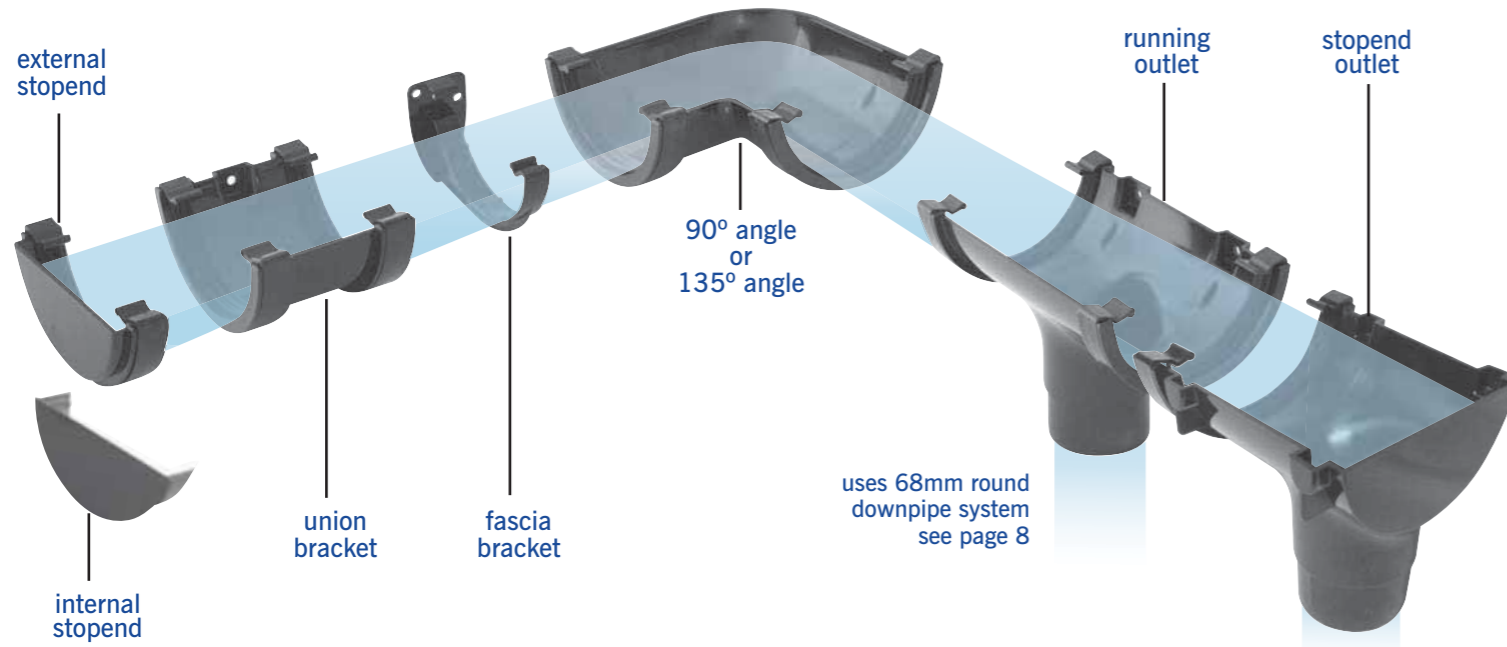
Downpipe

1. Using a plumb line, mark a vertical line on the wall from the running outlet to the drain.
2. Place an offset bend onto the base of the running outlet. Place a second offset bend on a length of downpipe and measure the section length required to join the two offset bends, cut a suitable length of downpipe – the "swan neck".
3. Hold a downpipe clip centrally over the plumb line and mark the fixing holes on the wall with a pencil. Repeat down the wall, spacing pipe clips no more than 1.8m apart.
4. Drill the fixing holes.
5. Working from the top downwards, install the downpipe. If additional lengths of downpipe are required, join using a socket and pipe clip.
6. Leave a 10mm gap between the end of the pipe and the bottom of the pipe socket to allow for expansion. Fix a pipe clip over the joint.
7. Use wall plugs suitable for the substrate and when fitting pipe clip screws to ensure that the application is secure. Fix pipe/socket clips with 2 x 32mm x 6.5mm round head stainless steel screws.
8. Where required, fit a shoe at the bottom of the downpipe so that it directs water into the drain, if required. Fix the joint with a pipe clip.

RECOMMENDED: Use lubricant/silicone spray on all gutter seals for ease of fitting and for improved in-service performance.

Kayflow[®] half round gutter

Height	Width	Flow Rate	Area Drained	Down Pipe
50mm	114mm	0.9 l/s	43m ²	Round (P8)



half round gutter

	code	pk	colours
	KFG4	6x4m	W, BL, BR, GY, AG
	KFG5	6x5m	W, BL

90° angle

	code	pk	colours
	KFA1	20	W, BL, BR, GY, AG

135° angle

	code	pk	colours
	KFA2	20	W, BL, BR, GY, AG

external/internal stopends

	code	pk	colours
ext	KFE1	100	W, BL, BR, GY, AG
int	KFE2	20	W, BL, BR, GY, AG

fascia bracket

	code	pk	colours
	KFK1	100	W, BL, BR, GY, AG

union bracket

	code	pk	colours
	KFU1	30	W, BL, BR, GY, AG

running outlet

	code	pk	colours
	KFO1	20	W, BL, BR, GY, AG

stopend outlet

	code	pk	colours
	KFO2	20	W, BL, BR, GY

reversible gutter adaptors

	code	pk	colours
round/square	KFDS3	10	W, BL, BR
round/deep	KFD9	1	W, BL, BR

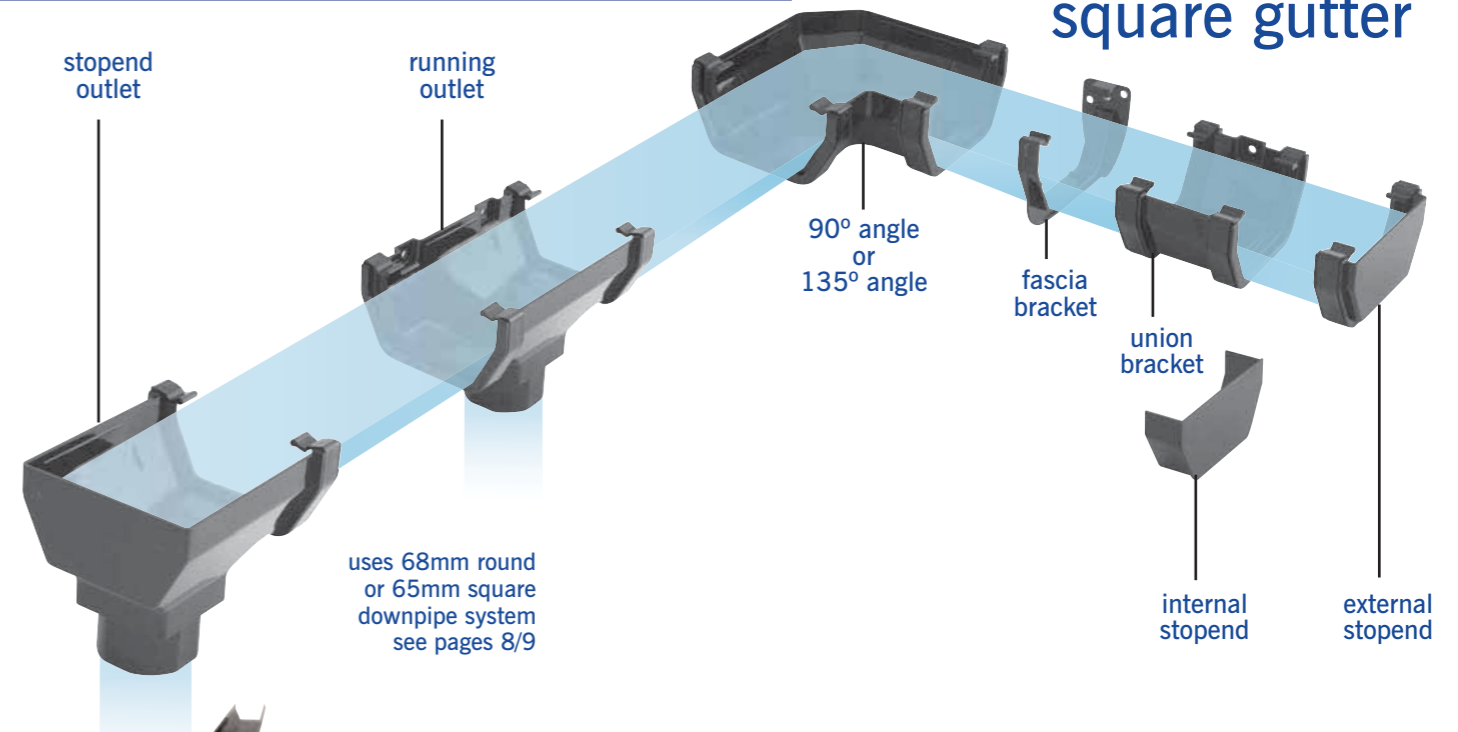
handed round/ogee gutter adaptors

	code	pk	colours
*ogee/round	OGR1	1	W, BL, BR
*round/ogee	OGR2	1	W, BL, BR

We also offer a range of different accessories; you can find out more on page 15

Kayflow[®] square gutter

Height	Width	Flow Rate	Area Drained	Down Pipe
57mm	117mm	1.6 l/s	76m ²	Round/Square (P8/9)



square gutter

	code	pk	colours
	KFGS4	6x4m	W, BL, BR, C, AG
	KFGS5	6x5m	W, BL, BR

90° angle

	code	pk	colours
	KFAS1	10	W, BL, BR, C, AG

135° angle

	code	pk	colours
	KFAS2	10	W, BL, BR, C, AG

external/internal stopends

	code	pk	colours
ext	KFES1	100	W, BL, BR, C, AG
int	KFES2	20	W, BL, BR, AG

fascia bracket

	code	pk	colours
	KFKS1	100	W, BL, BR, C, AG

union bracket

	code	pk	colours
	KFUS1	30	W, BL, BR, C, AG

running outlet

	code	pk	colours
	KFOS1	20	W, BL, BR, C, AG

stopend outlet

	code	pk	colours
	KFOS2	20	W, BL, BR, C

reversible gutter adaptors

	code	pk	colours
square/round	KFDS3	10	W, BL, BR
square/deep	KFD10	1	W, BL, BR

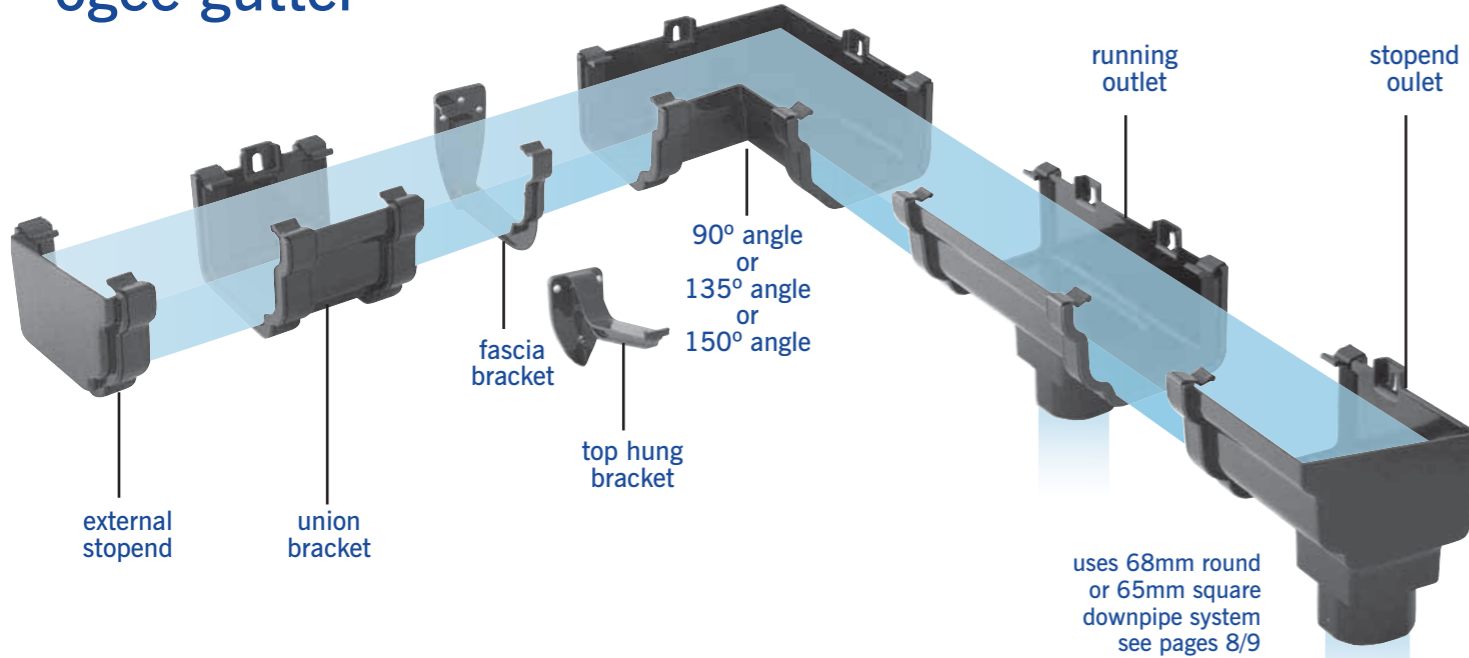
handed round/ogee gutter adaptors

	code	pk	colours
*ogee/square	OGS1	1	W, BL, BR
*square/ogee	OGS2	1	W, BL, BR

We also offer a range of different accessories; you can find out more on page 15

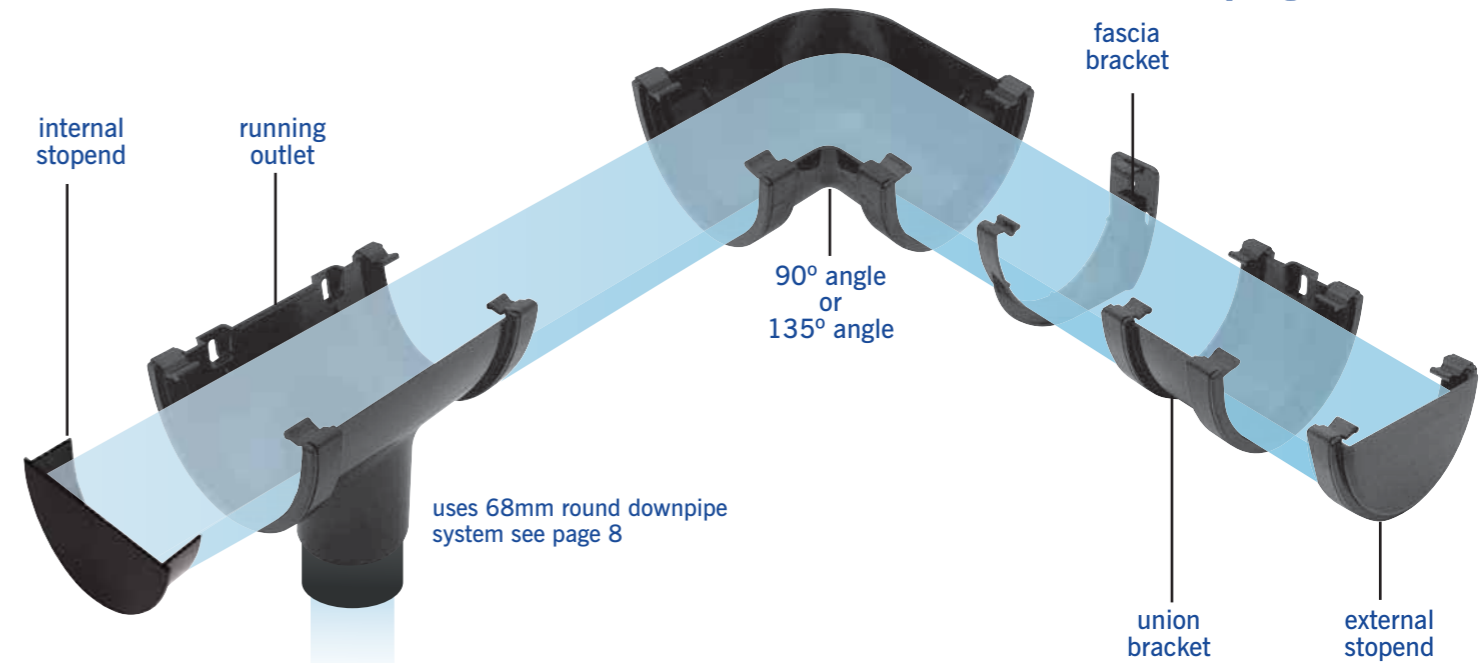
Kayflow[®] ogee gutter

Height	Width	Flow Rate	Area Drained	Down Pipe
70mm	120mm	2.2 l/s	105m ²	Round/Square (P8/9)



Kayflow[®] deep gutter

Height	Width	Flow Rate	Area Drained	Down Pipe
71mm	114mm	1.8 l/s	86m ²	Round (P8)



ogee gutter			
	code	pk	colours
	OGG4	4x4m	W, BL, BR, C, AG

90° & 135° internal angle			
	code	pk	colours
	OGA1	10	W, BL, BR, C, AG
	OGA3	10	W, BL, BR, C, AG

90° external angle			
	code	pk	colours
	OGA2	10	W, BL, BR, C, AG

135° & 150° external angles			
	code	pk	colours
	OGA4	10	W, BL, BR, C, AG**
	OGA5	4	W, BL, BR, C, AG**

union bracket			
	code	pk	colours
	OGU1	8	W, BL, BR, C, AG

external stopend			
	code	pk	colours
	OGE1 (L)	10	W, BL, BR, C, AG
	OGE2 (R)	10	W, BL, BR, C, AG

gutter brackets			
	code	pk	colours
	OGK1	100	W, BL, BR, C, AG**
	OGK2	20	W, BL, BR, C, AG**

running outlet			
	code	pk	colours
	OGO1	10	W, BL, BR, C, AG

stopend outlets			
	code	pk	colours
	OGO2 (R)	10	W, BL, BR, C
	OGO3 (L)	10	W, BL, BR, C

handed ogee/deep gutter adaptors			
	code	pk	colours
	OGD1	1	W, BL, BR
	OGD2	1	W, BL, BR

handed square/ogee gutter adaptors			
	code	pk	colours
	OGS1	1	W, BL, BR
	OGS2	1	W, BL, BR

handed round/ogee gutter adaptors			
	code	pk	colours
	OGR1	1	W, BL, BR
	OGR2	1	W, BL, BR

deep gutter			
	code	pk	colours
	KDG4	6x4m	W, BL, BR, AG

90° angle			
	code	pk	colours
	KDA1	4	W, BL, BR, AG

135° angle			
	code	pk	colours
	KDA2	4	W, BL, BR, AG

internal/external stopend			
	code	pk	colours
	KDE1	10	W, BL, BR, AG
	KDE2	10	W, BL, BR, AG

reversible gutter adaptors			
	code	pk	colours
	KFD9	1	W, BL, BR
	KFD10	1	W, BL, BR

handed ogee/deep gutter adaptors			
	code	pk	colours
	OGD1	1	W, BL, BR
	OGD2	1	W, BL, BR

fascia bracket			
	code	pk	colours
	KDK1	100	W, BL, BR, AG

running outlet			
	code	pk	colours
	KDO1	10	W, BL, BR, AG

union bracket			
	code	pk	colours
	KDU1	20	W, BL, BR, AG

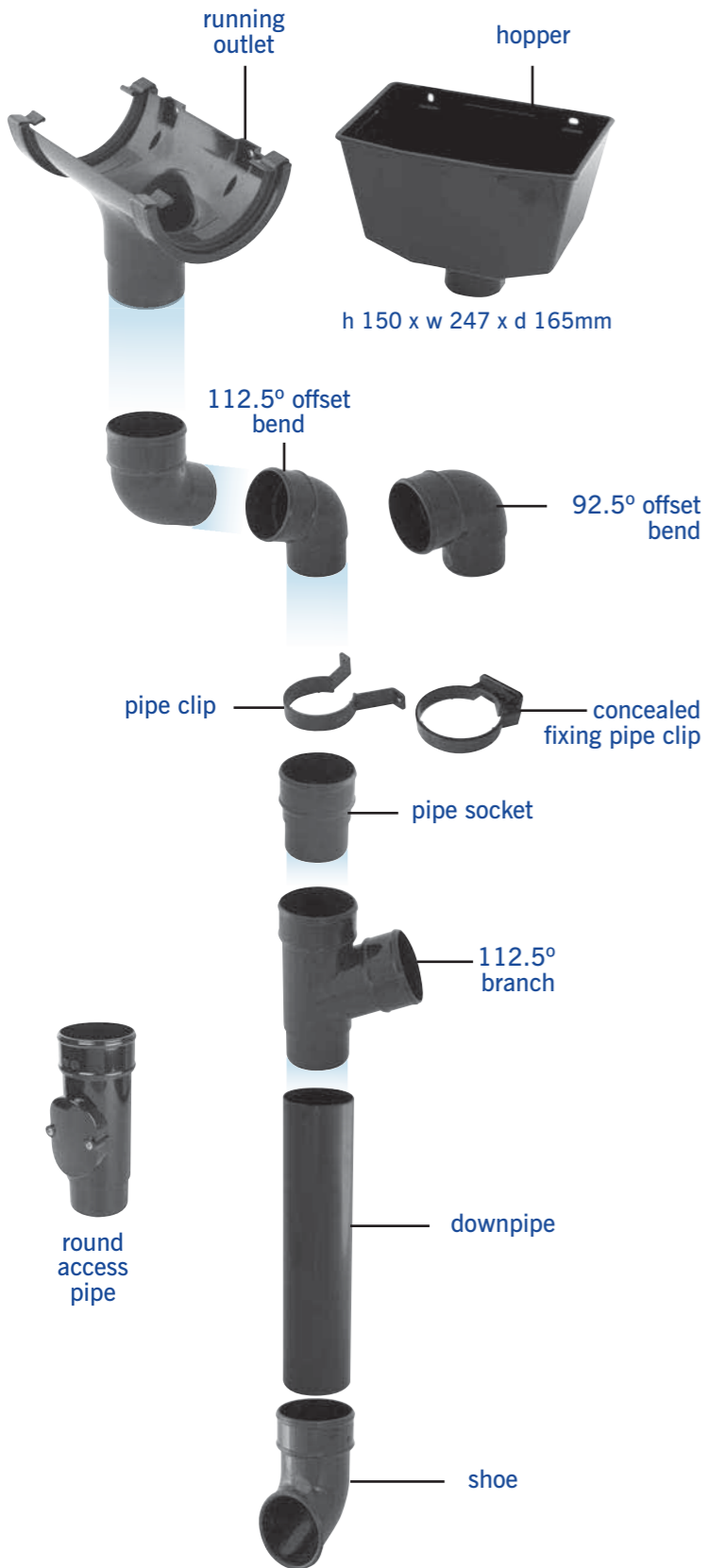
*Gutter adaptors - description denotes which side each section is on when looking at the building.
**Only applicable to OGA4 and OGK1

We also offer a range of different accessories; you can find out more on page 15

Kayflow®

round down pipe

- 68mm diameter
- use with half round, square, ogee & deep



		round down pipe		
	code	pk	colours	
	2.5m	KFP25	6 W, BL, BR, GY, AG	
	4m	KFP4	6 W, BL, BR, AG	
	5.5m	KFP55	6 W, BL, BR, GY, AG	
92.5° offset bend				
	KFB1	20	W, BL, BR, GY, AG	
112.5° offset bend				
	KFB2	30	W, BL, BR, GY, AG	
shoe				
	KFB3	30	W, BL, BR, GY, AG	
pipe clip				
	KFC1	100	W, BL, BR, GY, AG	
concealed fixing pipe clip				
	OGC3	10	W, BL, BR	
square/round hopper				
	KFHS1	10	W, BL, BR, C, GY, AG	
pipe socket				
	KFS1	20	W, BL, BR, GY, AG	
112.5° branch				
	KFY1	10	W, BL, BR, GY, AG	
square/round down pipe adaptor				
	KFDS2	10	W, BL, BR, C	
round access pipe				
	KFAP	1	W, BL, BR	

We also offer a range of different accessories; you can find out more on page 15

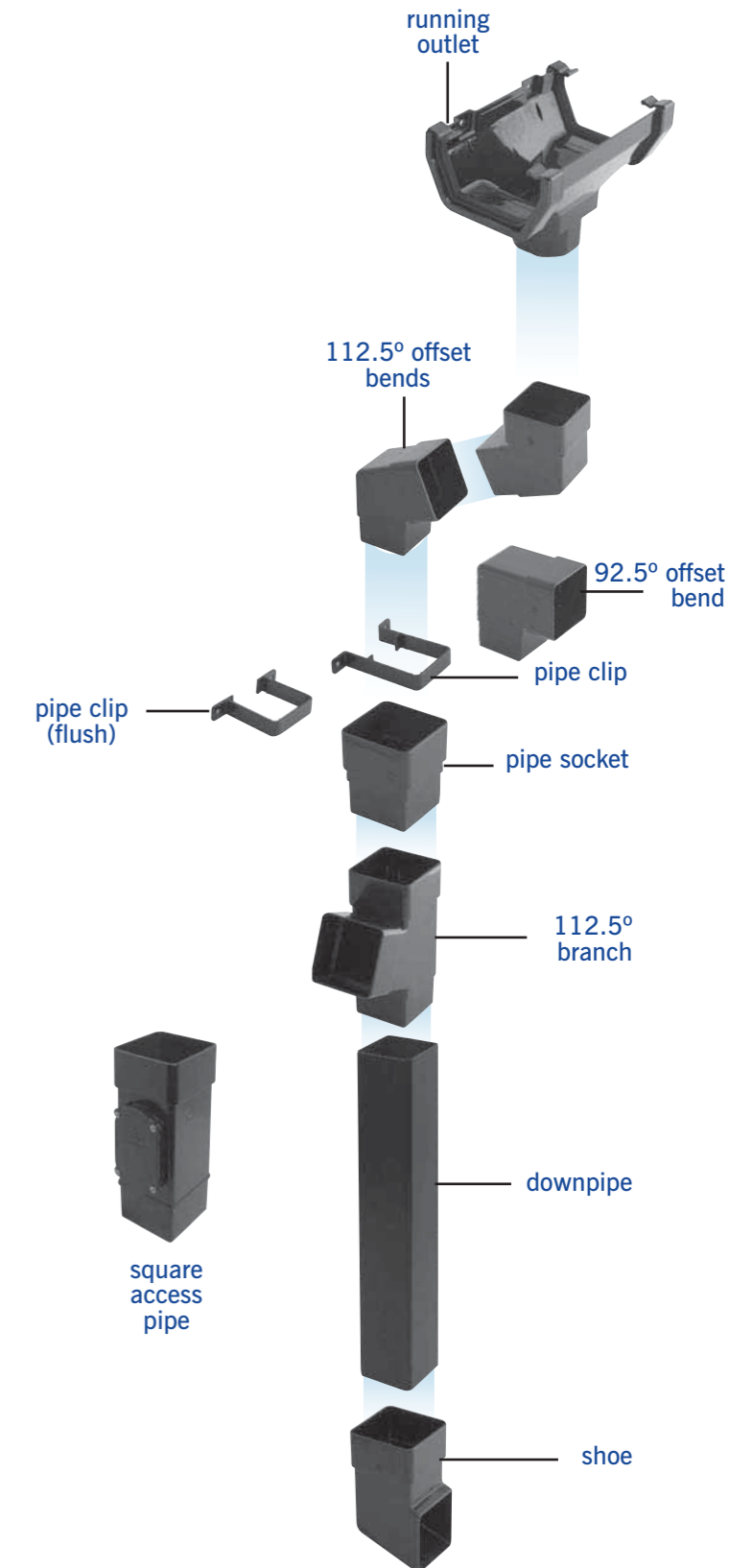
		square down pipe		
	code	pk	colours	
	2.5m	KFPS25	6 W, BL, BR, C, AG	
	4m	KFPS4	6 W, BL, BR, AG	
	5.5m	KFPS55	6 W, BL, BR, C, AG	
92.5° offset bend				
	KFBS1	20	W, BL, BR, C, AG	
112.5° offset bend				
	KFBS2	30	W, BL, BR, C, AG	
shoe				
	KFBS3	30	W, BL, BR, C, AG	
pipe clip				
	KFCS1	100	W, BL, BR, C, AG	
pipe clip (flush)				
	KFCS2	100	W, BL, BR, C, AG	
hopper (square/round)				
	KFHS1	10	W, BL, BR, C, GY, AG	
pipe socket				
	KFSS1	20	W, BL, BR, C, AG	
112.5° branch				
	KFYS1	10	W, BL, BR, C, AG	
square/round down pipe adaptor				
	KFDS2	10	W, BL, BR, C	
square access pipe				
	KFSAP	1	W, BL, BR	

We also offer a range of different accessories; you can find out more on page 15

Kayflow®

square down pipe

- 65mm x 65mm
- use with square and ogee



Kayflow® SuperDeep 170

Kayflow SuperDeep 170 is a super tough, high capacity gutter for use on commercial buildings, hotels, flats and any structure that has a large roof area.

Tough Construction

SuperDeep 170 has a high material content that ensures it can easily contain the weight of water that could potentially flow into its huge gutter profile. Each fascia bracket is capable of supporting over 125kg and the union can take over half as much again.

The gutter angles have been produced as individual internal and external versions. This allows positive fixing of each unit to the fascia board.

High Capacity

SuperDeep 170 is one of the largest and toughest commercial rainwater systems available.

At 170mm from rim to rim SuperDeep 170 has a huge reservoir and is designed to move water rapidly into and down a 100mm or 110mm down pipe.

SuperDeep 170 has an independently tested, market leading flow rate of 4.3 litres per second.

- Ultra tough, thick-wall system
- 170mm high capacity commercial system
- White core reduces heat absorption
- Uses 100mm or 110mm downpipe
- Internal and external versions of angles
- Fix fascia brackets at maximum 600mm centres
- Kitemark KM508760 to BS EN 607:2004 and BS EN 1462:2004

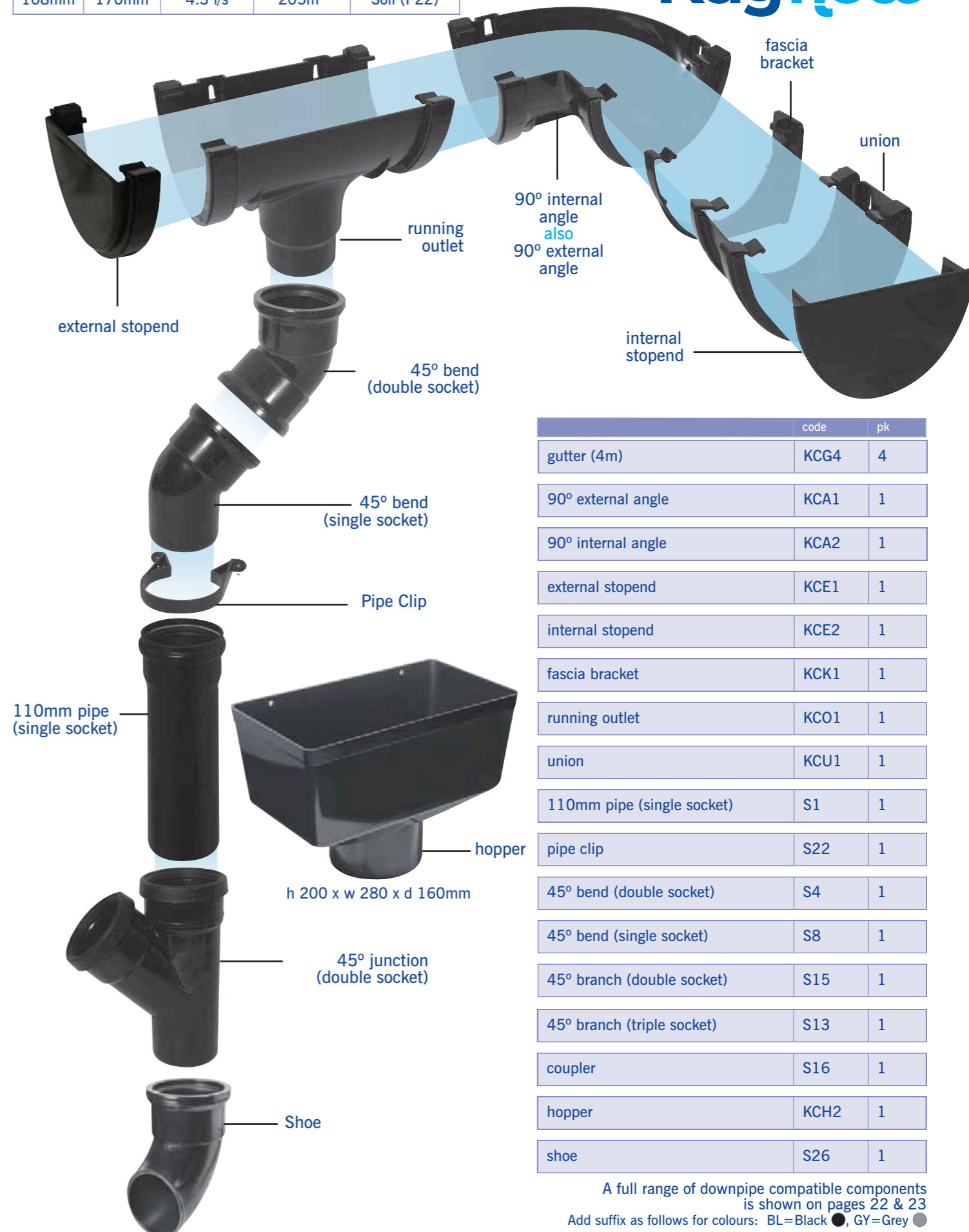


KM 508760



Height	Width	Flow Rate	Area Drained	Down Pipe
108mm	170mm	4.3 l/s	205m ²	Soil (P22)

Kayflow®

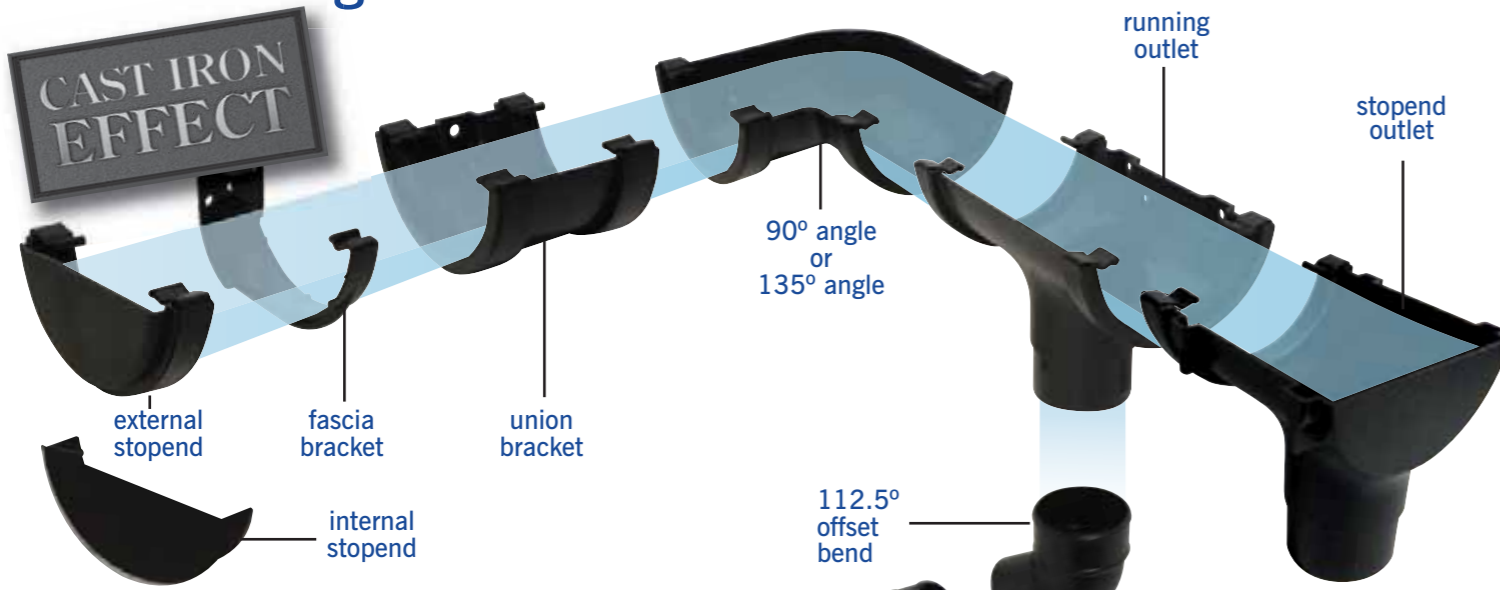


	code	pk
gutter (4m)	KCG4	4
90° external angle	KCA1	1
90° internal angle	KCA2	1
external stopend	KCE1	1
internal stopend	KCE2	1
fascia bracket	KCK1	1
running outlet	KCO1	1
union	KCU1	1
110mm pipe (single socket)	S1	1
pipe clip	S22	1
45° bend (double socket)	S4	1
45° bend (single socket)	S8	1
45° branch (double socket)	S15	1
45° branch (triple socket)	S13	1
coupler	S16	1
hopper	KCH2	1
shoe	S26	1

A full range of downpipe compatible components is shown on pages 22 & 23
Add suffix as follows for colours: BL=Black ●, GY=Grey ●

Kayflow® half round gutter

Height	Width	Flow Rate	Area Drained	Down Pipe
50mm	114mm	0.9 l/s	43m ²	Round



	code	pk
gutter (4m)	KFG4	1
90° angle	KFA1	1
135° angle	KFA2	1
external stopend	KFE1	1
internal stopend	KFE2	1
fascia bracket	KFK1	1
running outlet	KFO1	1
stopend outlet	KFO2	1
union bracket	KFU1	1
round downpipe (2.5m)	KFP25	1
92.5° offset bend	KFB1	1
112.5° offset bend	KFB2	1
shoe with lugs	KFB4	1
pipe clip with lugs	KFC2	1
hopper with lugs	KFHS2	1
pipe socket with lugs	KFS2	1
112.5° branch	KFY1	1

We also offer a range of different accessories; you can find out more on page 15



Cast Iron Effect

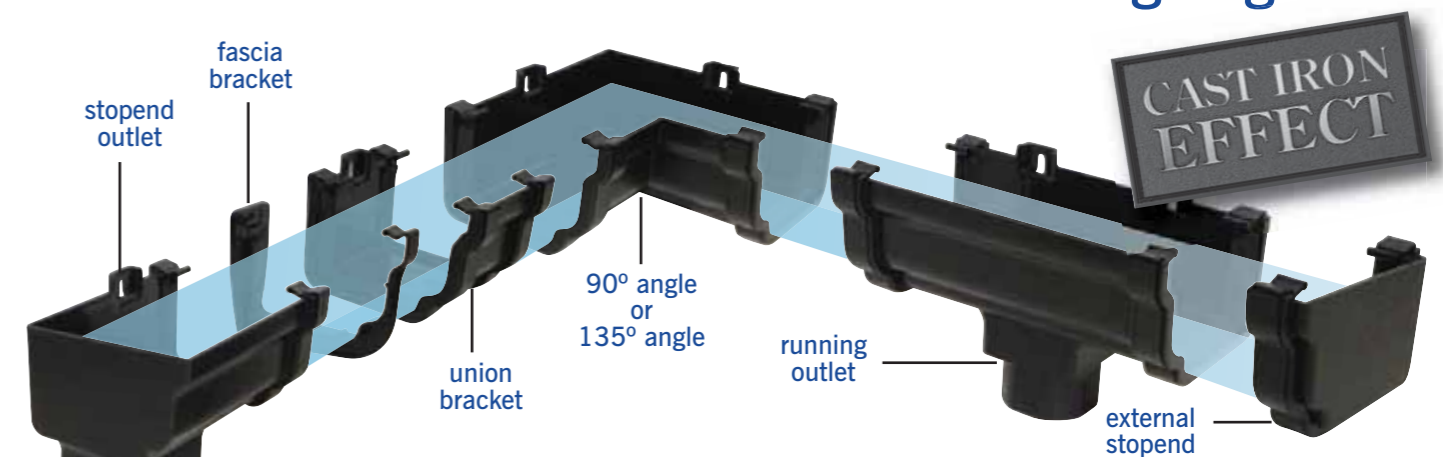
Complete system with bespoke components for an authentic cast iron appearance.



h 258 x w 312 x d 210mm

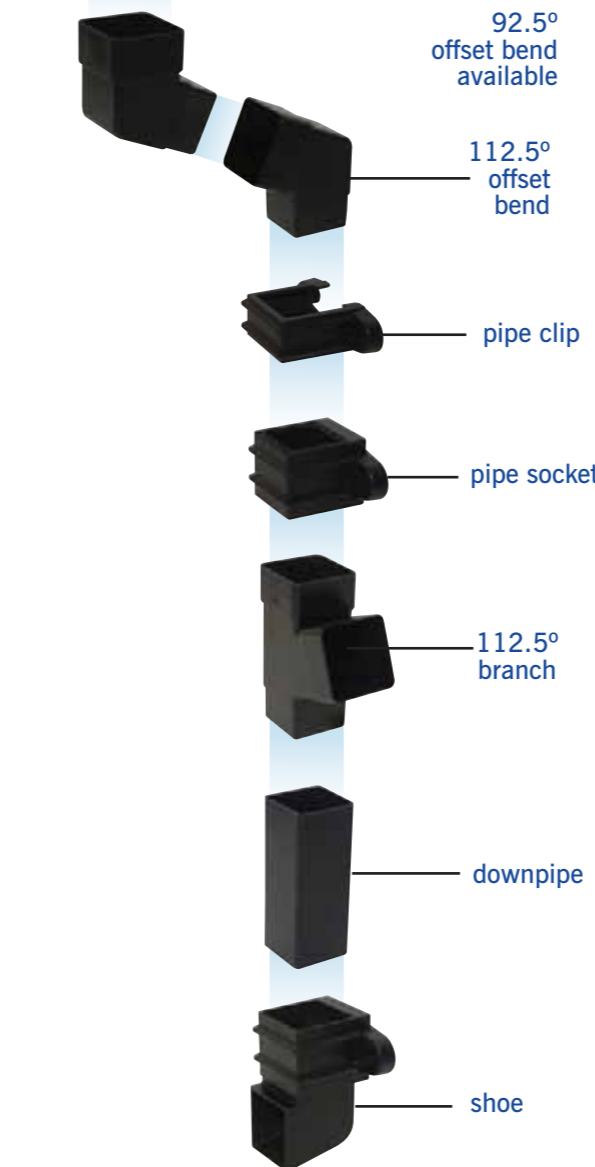
Kayflow® ogee gutter

Height	Width	Flow Rate	Area Drained	Down Pipe
70mm	120mm	2.2 l/s	105m ²	Round/Square



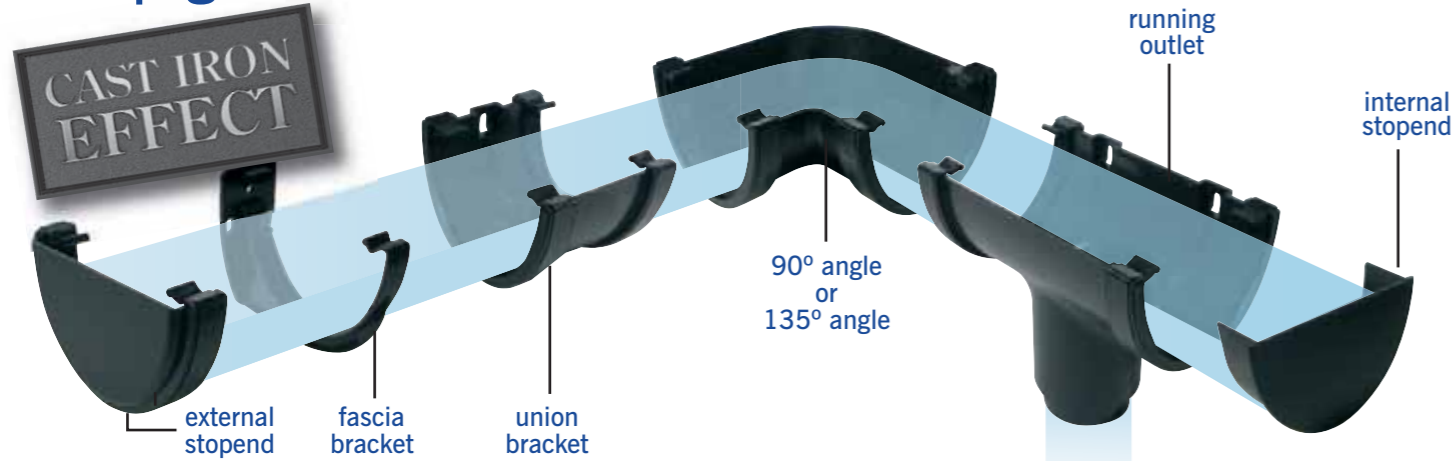
	code	pk
gutter (4m)	OGG4	1
90° external angle	OGA2	1
90° internal angle	OGA1	1
135° external angle	OGA4	1
135° internal angle	OGA3	1
external stopend (R/H)	OGE2	1
external stopend (L/H)	OGE1	1
fascia bracket	OGK1	1
running outlet	OGO1	1
stopend outlet (R/H)	OGO2	1
stopend outlet (L/H)	OGO3	1
union bracket	OGU1	1
square downpipe (2.5m)	KFPS25	1
112.5° offset bend	KFBS2	1
92.5° offset bend	KFBS1	1
shoe with lugs	KFBS5	1
pipe clip with lugs	KFCS4	1
pipe socket with lugs	KFSS2	1
112.5° branch	KFYS1	1
hopper with lugs	KFHS2	1

We also offer a range of different accessories; you can find out more on page 15



Kayflow[®] deep gutter

Height	Width	Flow Rate	Area Drained	Down Pipe
71mm	114mm	1.8 l/s	86m ²	Round



	code	pk
gutter (4m)	KDG4	1
90° angle	KDA1	1
135° angle	KDA2	1
external stopend	KDE1	1
internal stopend	KDE2	1
fascia bracket	KDK1	1
running outlet	KDO1	1
union bracket	KDU1	1
round downpipe (2.5m)	KFP25	1
92.5° offset bend	KFB1	1
112.5° offset bend	KFB2	1
shoe with lugs	KFB4	1
pipe clip with lugs	KFC2	1
hopper with lugs	KFHS2	1
pipe socket with lugs	KFS2	1
112.5° branch	KFY1	1

We also offer a range of different accessories; you can find out more on page 15



Note: It is recommended that all joints require generous lubrication, which is also available from Kayflow - please see pages 18, 20 & 23

Kayflow is a comprehensive range of Rainwater, Soil and Underground drainage products.

The Kayflow range is ideal for builders merchants and PVC stockists. Kayflow is easy to deal with and has a straight forward pricing structure, a national delivery service and low minimum order levels.

Kayflow can be specified with confidence. The technical team are on hand to help with questions concerning flow rates and installation procedures.

Kayflow installers have a wide choice of rainwater products and the quality and fit of the clipping system is widely regarded as excellent.



Kayflow[®]

NEW GUTTER BALLOON added to our range

Our new Gutter Balloon has now been added to the Kayflow range of rainwater products to help prevent leaves, twigs and debris from causing blockages in downpipes.

Due to its flexibility, this polypropylene profile fits easily into all running outlets (except Commercial SuperDeep 170) using a push fit application.

Compatible with round and square downpipes, this durable black gutter balloon ensures your drainage system stays clear and performs effectively.



accessories

	code	pk	colours
	KFRB	10	

	code	pk	colours
	KFRBS	10	

	code	pk	colours
	KFRBU	10	

This is designed to be used in conjunction with the pvc fascia bracket appropriate to the design of gutter chosen
Metal brackets are galvanised or zinc plated for excellent water resistance.

	code	pk	colours
	KFSRB	10	

	code	pk	colours
	KFTRB	10	

	code	pk	colours
	KFL1BL	10	BL

	code	pk	colours
	KFRD1	1	W, BL

	code	pk	colours
	KFHS1	10	W, BL, BR, C, GY, AG

Kayflow Soil System (p22)

- 110mm Compatible with most other UK systems
- Comprehensive range
- High gloss PVC-u for low maintenance
- Lightweight durable and easy to install
- BS EN 1329; 1:2014



320 Square Lid Adaptor

Round to Square Gully Grid Adaptor

320 Square Manhole Cover & Frame

Bottle Gully Rear Inlet (Available without Rear Inlet)



KM 655203



KM 664034

For scope refer to the manufacturer.

Kayflow Underground System

- 110mm and 160mm
- Easy fit system
- Lightweight
- Durable and impact resistant

This drawing is for illustration only - full product range guides available

110mm underground pipe & fittings

plain end pipe			single socket pipe		
	code	pk		code	pk
	UG1	1x3m		UG3	1x3m
	UG2	1x6m		UG4	1x6m
	UG28 BUG28	1 40		UG20 BUG20	1 40
	UG26 BUG26	1 40		UG18 BUG18	1 40
	UG24 BUG24	1 30		UG16 BUG16	1 30
	UG22 BUG22	1 20		UG14 BUG14	1 20
	UG29	1		UG21	1
	UG10 BUG10	1 50		UG15 BUG15	1 15
	UG12 BUG12	1 50			
				UG13 BUG13	1 10
	UG111	1		UG23 BUG23	1 16
	UG45	1			
	UG46	1		UPL1 UPL25	1kg 2.5kg 1 1

110mm underground fittings

45° junction (double socket)			45° junction (triple socket)		
	code	pk		code	pk
	UG47 BUG47	1 15		UG38 BUG38	1 15
	UG44 BUG44	1 15		UG39 BUG39	1 15
	UG100 BUG100	1 14		UG107 BUG107	1 60
	UG101 BUG101	1 50		UG105 Grid ONLY BUG105 Grid ONLY	1 200
	UG102 BUG102	1 50		UG103 BUG103	1 24
	UG106 Grid ONLY BUG106 Grid ONLY	1 150		UG105 Grid ONLY BUG105 Grid ONLY	1 200
	UG102 BUG102	1 50		UG104 BUG104	1 20
	UG106 Grid ONLY BUG106 Grid ONLY	1 150		UG105 Grid ONLY BUG105 Grid ONLY	1 200
	UG1006 BUG1006	1 12		UG1012 BUG1012	1 20
	UG1008 BUG1008	1 10		UG115 BUG115	1 230
	UG1015	1		UG109	1
	UG1011	1			

plain end pipe

code	pk
UG1160	1x3m

single socket pipe

UG3160	1x3m
UG4160	1x6m

15° bend (single socket)

UG28160	1
---------	---

30° bend (single socket)

UG26160	1
---------	---

45° bend (single socket)

UG24160	1
---------	---

90° bend (single socket)

UG22160	1
---------	---

45° junction (double socket)

UG47160	1
---------	---

90° junction (double socket)

UG44160	1
---------	---

coupler (double socket)

code	pk
UG10160	1

socket plug

UG111160	1
----------	---

15° bend (double socket)

UG20160	1
---------	---

30° bend (double socket)

UG18160	1
---------	---

45° bend (double socket)

UG16160	1
---------	---

45° junction (triple socket)

UG38160	1
---------	---

45° junction
160mm x 110mm
(double socket)

UG49160	1
---------	---

90° junction
160mm x 110mm
(double socket)

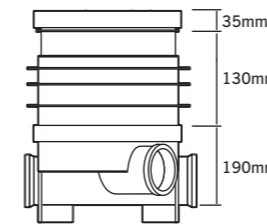
UG48160	1
---------	---

universal pipe lubricant

UPL1	1kg	1
UPL25	2.5kg	1

320 inspection chamber

1 x Main Entry
2 x 45° Entries
2 x Blanking Plugs
Max. Depth 600mm
All Sockets 110mm



320 square lid adaptor

code	pk
UG1013	1
BUG1013	20

320 manhole cover and frame

UG1000	1 (round)
BUG1000	54 (round)
UG2000	1 (square)
BUG2000	54 (square)

UG1000
1.5tonne/15kN loading

UG2000

320 riser

UG1002	1
BUG1002	99

riser seals for 320 base

UG108	10
BUG108	150

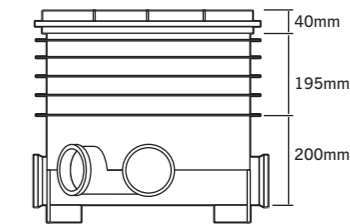
320 manhole base

UG1004	1
BUG1004	56

It is recommended that all joints require generous lubrication, which is also available from Kayflow - please see pages 18, 20 & 23

450 inspection chamber

1 x Main Entry
2 x 90° Entries
2 x 45° Entries
4 x Blanking Plugs
Max. Depth 1200mm
All Sockets 110mm



450 manhole cover and frame

code	pk
UG1001	1 (round)
BUG1001	52 (round)
UG2001	1 (square)
BUG2001	52 (square)

UG1001
1.5tonne/15kN loading

UG2001

450 riser

UG1003	1
BUG1003	36

riser seals for 450 base

UG1007	10
BUG1007	150

450 manhole base

UG1005	1
BUG1005	32

450 manhole base (160mm main run and side inlets)

UG1014	1
BUG1014	24

Codes beginning with 'B' denote the specific BULK quantity shown.

Kayflow®

110mm soil

pipe (single socket)

code	pk	colours
S1	1x3m	GY

pipe (single socket)

code	pk	colours
S1	1x3m	BL

pipe (single socket)

code	pk	colours
S1	1x3m	WH

15° bend (single socket)

code	pk	colours
S10 BS10	1 40	BL, GY, WH

30° bend (single socket)

code	pk	colours
S9 BS9	1 40	BL, GY, WH

45° bend (single socket)

code	pk	colours
S8 BS8	1 30	BL, GY, WH

90° bend (single socket)

code	pk	colours
S7 BS7	1 20	BL, GY, WH

coupler

code	pk	colours
S16 BS16	1 50	BL, GY, WH

slip/repair coupler

code	pk	colours
S17 BS17	1 50	BL, GY

90° short access bend (single socket)

code	pk	colours
S11 BS11	1 20	BL, GY, WH

15° bend (double socket)

code	pk	colours
S6 BS6	1 40	BL, GY, WH

30° bend (double socket)

code	pk	colours
S5 BS5	1 40	BL, GY, WH

45° bend (double socket)

code	pk	colours
S4 BS4	1 30	BL, GY, WH

90° bend (double socket)

code	pk	colours
S3 BS3	1 20	BL, GY, WH

45° branch (double socket)

code	pk	colours
S15 BS15	1 15	BL, GY, WH

90° branch (double socket)

code	pk	colours
S14 BS14	1 15	BL, GY, WH

access junction (double socket)

code	pk	colours
S18 BS18	1 12	BL, GY, WH

straight access pipe (single socket)

code	pk	colours
S25 BS25	1 18	BL, GY, WH

50mm strap boss

code	pk	colours
S50 BS50	1 10	BL, GY, WH

40mm adaptor

code	pk	colours
S40 BS40	1 10	BL

32mm adaptor

code	pk	colours
S32 BS32	1 10	BL

Kayflow®

110mm soil

45° branch (triple socket)

code	pk	colours
S13 BS13	1 15	BL, GY, WH

90° branch (triple socket)

code	pk	colours
S12 BS12	1 15	BL, GY, WH

air admittance valve

code	pk	colours
S24 BS24	1 27	BL, GY, WH

cowl

code	pk	colours
S21 BS21	1 40	BL, GY, WH

pipe clip

code	pk	colours
S22 BS22	1 50	BL, GY, WH

end plug/cap

code	pk	colours
S20 BS20	1 100	BL, GY BL

universal pipe lubricant

code	pk	colours
UPL1 UPL2.5	1kg 2.5kg	1 1

Kayflow®



Pioneer House, Mariner, Lichfield Road Industrial Estate,
Tamworth Staffordshire B79 7TF
Tel: 01827 317269 • Fax: 01827 317217
Email: info@kayflow.co.uk

www.kayflow.co.uk